

UVC / HEPA "KILLER FILTER" UNIT

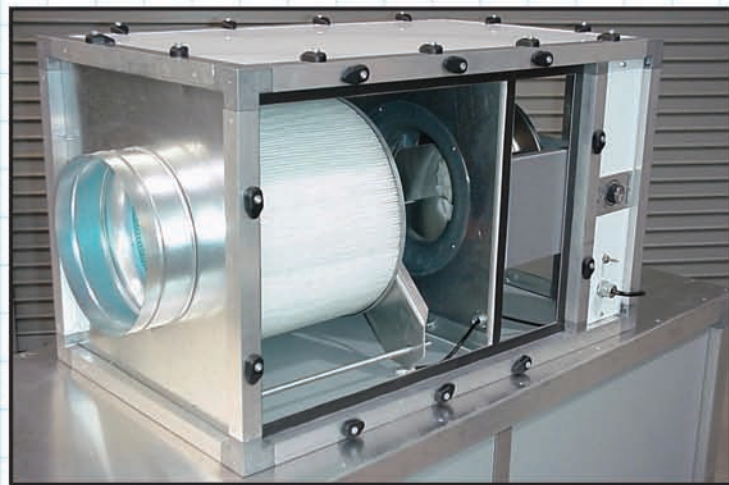
EXHAUST OR INTAKE AIR

BIO-LAB TESTED AGAINST MICROORGANISMS*

- UVC KILL ON INCOMING AIR
- 99.97% CYLINDRICAL HEPA FILTER ELEMENTS
- CONTINUOUS UVC KILL ON CAPTURED MATERIAL
- IN-LINE AIRFLOW, COMPACT DESIGN
- SIDE OR BOTTOM ACCESS FOR EASE OF SERVICE
- ETL LISTED
- GSA SCHEDULED



INLET VIEW



500 AND 1000 CFM STANDARD SIZES

12" INLET AND OUTLET COLLARS

VARIABLE SPEED CONTROLS

WEATHER PROOF OUTDOOR ROOFTOP DESIGN OPTION

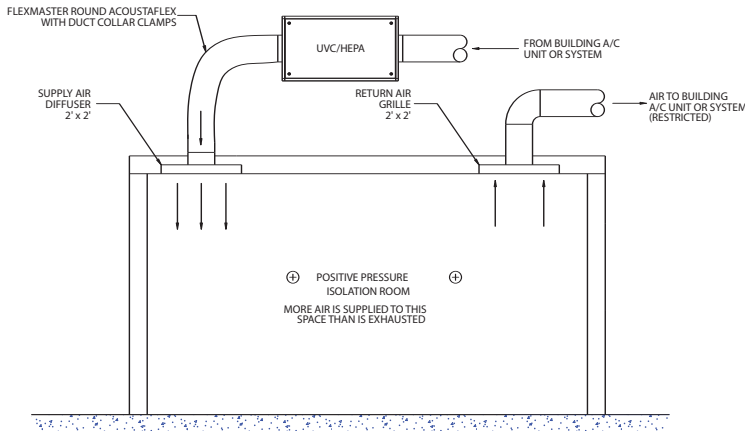
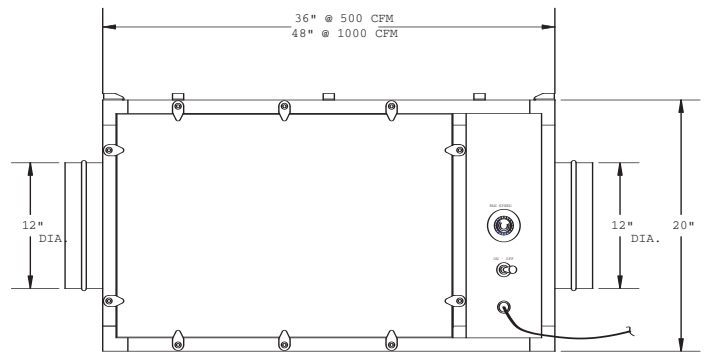
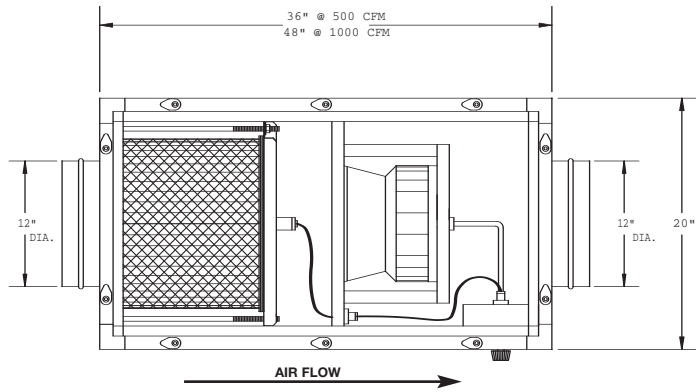


PORTABLE UNIT DESIGN WITH CASTERS

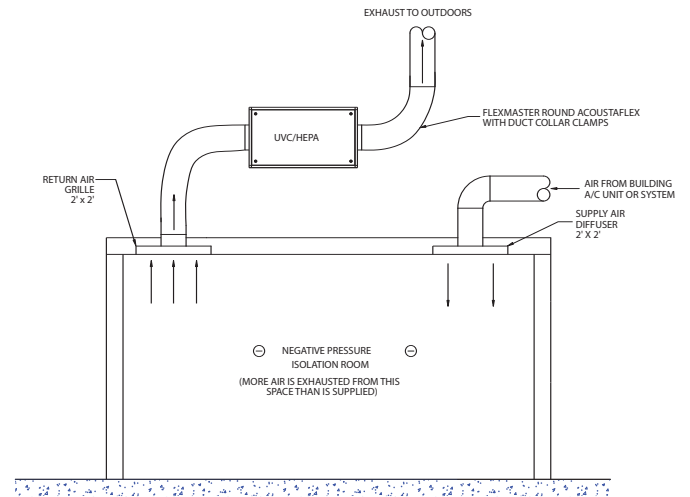


120/1/60 WITH A HOSPITAL GRADE PLUG
TOP DEFLECTION GRILLE AND LOUVER
VERTICAL AIRFLOW WITH PREFILTER OPTION
SHATTER RESISTANT UVC BULB

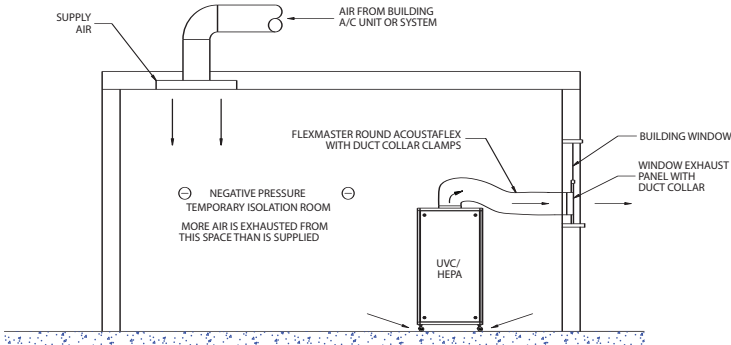
ISO UNIT DIMENSIONS



MAXIMUM ROOM SIZE @ 12 ACH (500 CFM) = 15' W x 20' L x 8' H
 MAXIMUM ROOM SIZE @ 12 ACH (1,000 CFM) = 20' W x 30' L x 8' H



MAXIMUM ROOM SIZE @ 12 ACH (500 CFM) = 15' W x 20' L x 8' H
 MAXIMUM ROOM SIZE @ 12 ACH (1,000 CFM) = 20' W x 30' L x 8' H



MAXIMUM ROOM SIZE @ 12 ACH (500 CFM) = 15' W x 20' L x 8' H
 MAXIMUM ROOM SIZE @ 12 ACH (1,000 CFM) = 20' W x 30' L x 8' H

PERFORMANCE

Model	Maximum Airflow Capacity	Maximum Room Size for 12 Air Changes/Hour	Electrical	Weight
ISO®-UVC/HEPA-500	500 CFM	15 X 20 X 8 ft.	250 WATTS @ 120 / 1 / 60	100#
ISO®-UVC/HEPA-1000	1000 CFM	20 X 30 X 8 ft.	560 WATTS @ 120 / 1 / 60	125#



ISOLATE, INC.

P.O. BOX 40794 HOUSTON, TX 77240 TEL 713-937-9393 FAX 713-937-9521

For More Information Call : 1-800-ISO-UNIT

Internet Address: <http://www.isolate.com/>